



DIESEL PERFORMANCE
SYSTEM KITS

DIESEL PERFORMANCE SYSTEM KITS

TRUCKS **CHEVROLET/GMC**

4"

CHEVROLET/GMC DIESEL SYSTEM KIT (XK1306)

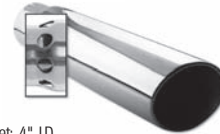


KIT NO.
XK1306

Mid-Year 07-08 **CHEVY/GMC 2500/3500**

SPECIFICATIONS 6.6L Duramax Diesel Eng; 4" Diesel Particulate Back Single Exhaust

STAINLESS STEEL, VENTED TIP INCLUDED



Inlet: 4" I.D.
Outlet: 5" I.D.
OAL: 16" Rolled Angle Cut

5"

CHEVROLET/GMC DIESEL SYSTEM KIT (XK1307)

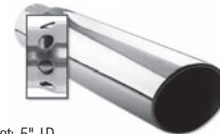


KIT NO.
XK1307

Mid-Year 07-08 **CHEVY/GMC 2500/3500**

SPECIFICATIONS 6.6L Duramax Diesel Eng; 5" Diesel Particulate Back Single Exhaust

STAINLESS STEEL, VENTED TIP INCLUDED



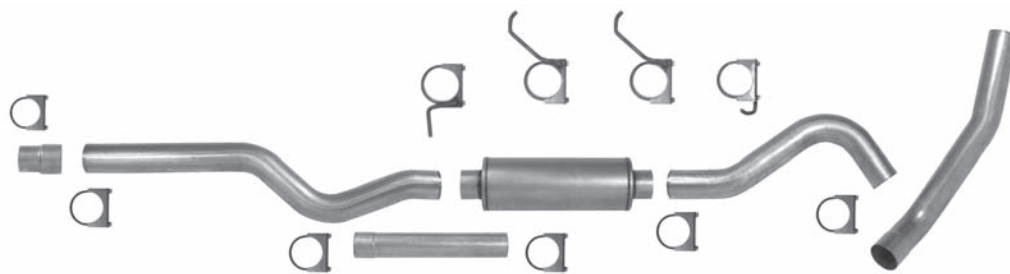
Inlet: 5" I.D.
Outlet: 6" I.D.
OAL: 16" Rolled Angle Cut

PERFORMANCE FEATURES

- New Diesel Kits (Single & Dual Systems)
- All kits complete with all hardware/clamps
- Mandrel bent heavy gauge aluminized tubing provides maximum flow
- Easy bolt-on kits
- Fits all wheel bases
- 4" & 5" kits on popular applications

4"

CHEVROLET/GMC DIESEL SYSTEM KIT (XK1304)



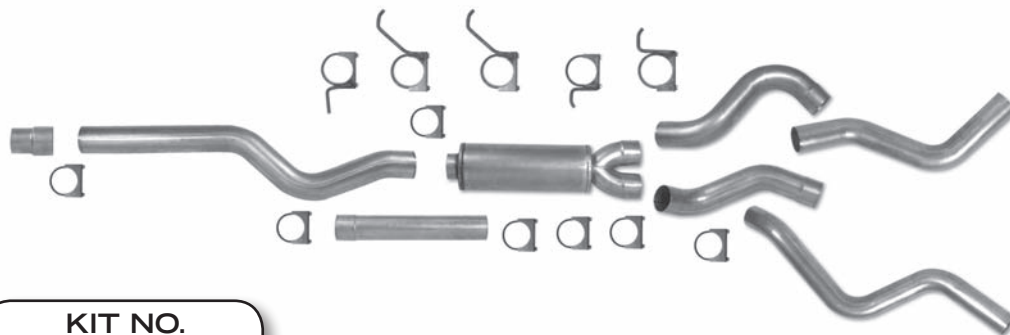
KIT NO.
XK1304

06-Early 07 **CHEVY/GMC 2500/3500**

SPECIFICATIONS 6.6L Duramax Diesel Eng; 4" Cat Back Single Exhaust

4"

CHEVROLET/GMC DIESEL SYSTEM KIT (XK2304)



KIT NO.
XK2304

06-Early 07 **CHEVY/GMC 2500/3500**

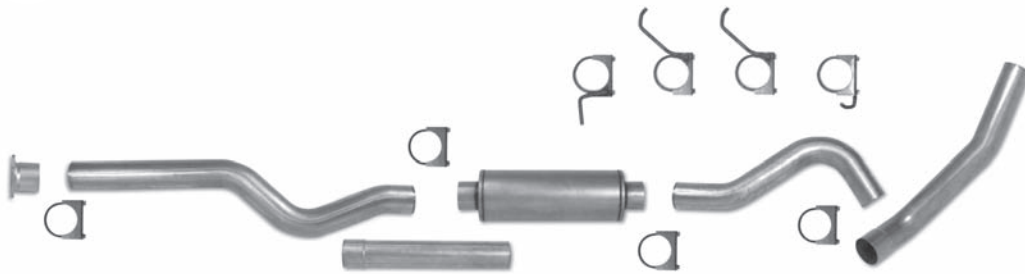
SPECIFICATIONS 6.6L Duramax Diesel Eng; 4" Cat Back Dual Exhaust

DIESEL PERFORMANCE SYSTEM KITS

TRUCKS **CHEVROLET/GMC**

4"

CHEVROLET/GMC DIESEL SYSTEM KIT (XK1302)



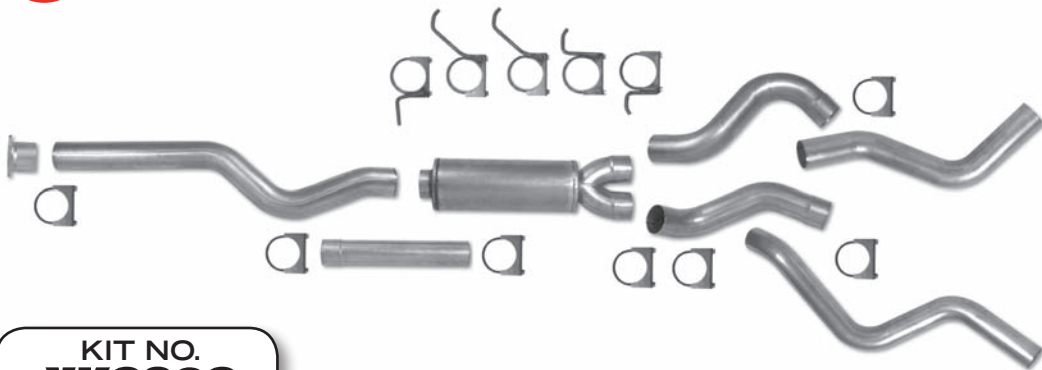
KIT NO.
XK1302

01-05 **CHEVY/GMC 2500/3500**

SPECIFICATIONS 6.6L Duramax Diesel Eng; 4" Front Pipe Back Single Exhaust

4"

CHEVROLET/GMC DIESEL SYSTEM KIT (XK2302)



KIT NO.
XK2302

01-05 **CHEVY/GMC 2500/3500**

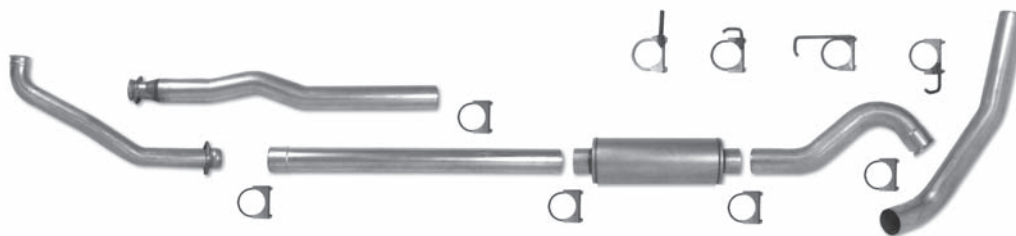
SPECIFICATIONS 6.6L Duramax Diesel Eng; 4" Front Pipe Back Dual Exhaust

PERFORMANCE FEATURES

- New Diesel Kits (Single & Dual Systems)
- All kits complete with all hardware/clamps
- Mandrel bent heavy gauge aluminized tubing provides maximum flow
- Easy bolt-on kits
- Fits all wheel bases
- 4" & 5" kits on popular applications

4"

CHEVROLET/GMC DIESEL SYSTEM KIT (XK1303)



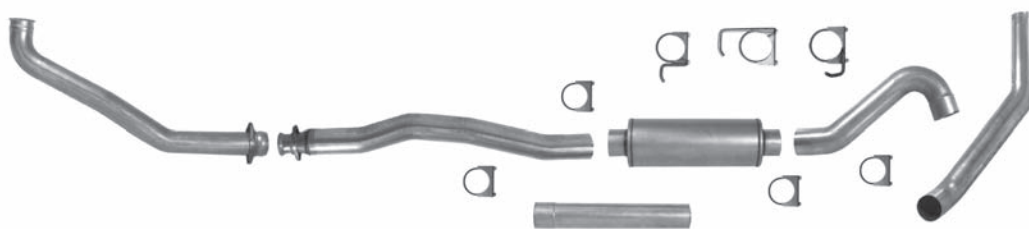
KIT NO.
XK1303

94-00 **CHEVY/GMC 2500/3500**

SPECIFICATIONS 6.5L Diesel; 4" Turbo Back Single Exhaust

4"

CHEVROLET/GMC DIESEL SYSTEM KIT (XK1305)



KIT NO.
XK1305

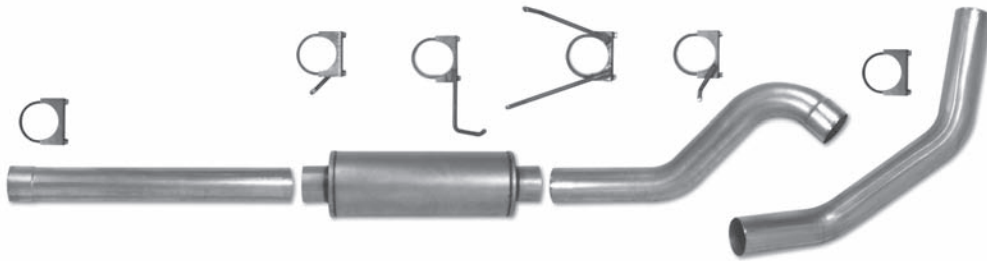
93-01 **SUBURBAN**

SPECIFICATIONS 6.5L Diesel; 4" Turbo Back Single Exhaust

DIESEL PERFORMANCE SYSTEM KITS

TRUCKS **DODGE**

4" DODGE DIESEL SYSTEM KIT (XK1205)

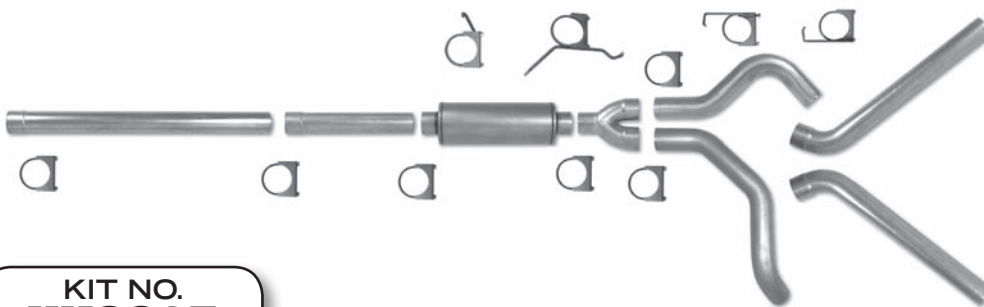


KIT NO.
XK1205

Mid-Year 04-Early 07 **DODGE RAM 2500/3500**

SPECIFICATIONS 5.9L Cummins 600 Diesel; 4" Cat Back Single Exhaust

4" DODGE DIESEL SYSTEM KIT (XK2205)



KIT NO.
XK2205

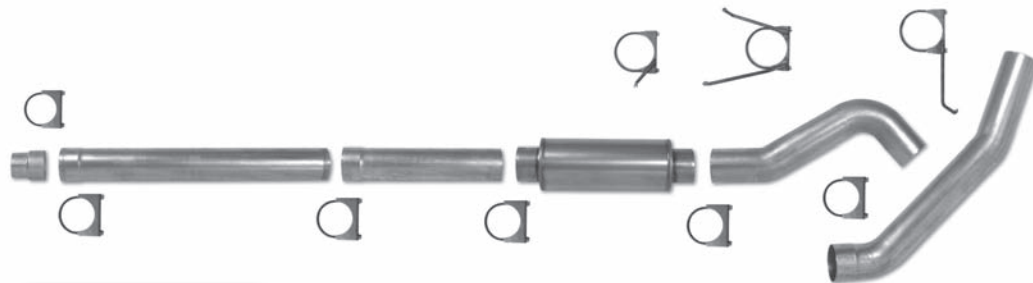
Mid-Year 04-Early 07 **DODGE RAM 2500/3500**

SPECIFICATIONS 5.9L Cummins 600 Diesel; 4" Cat Back Dual Exhaust

PERFORMANCE FEATURES

- New Diesel Kits (Single & Dual Systems)
- All kits complete with all hardware/clamps
- Mandrel bent heavy gauge aluminized tubing provides maximum flow
- Easy bolt-on kits
- Fits all wheel bases
- 4" & 5" kits on popular applications

5" DODGE DIESEL SYSTEM KIT (XK1206)



KIT NO.
XK1206

Mid-Year 04-Early 07 **DODGE RAM 2500/3500**
SPECIFICATIONS 5.9L Cummins 600 Diesel; 5" Cat Back Single Exhaust

4" DODGE DIESEL SYSTEM KIT (XK1203)



KIT NO.
XK1203

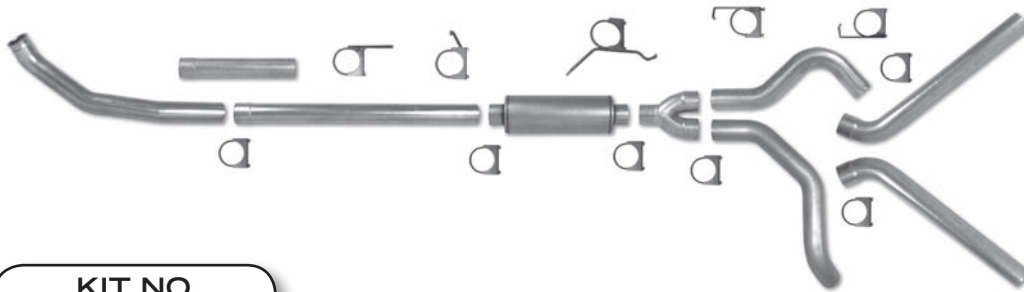
03-Early 04 **DODGE RAM 2500/3500**
SPECIFICATIONS 5.9L Cummins 600 Diesel; 4" Turbo Back Single Exhaust

DIESEL PERFORMANCE SYSTEM KITS

TRUCKS **DODGE**

4"

DODGE DIESEL SYSTEM KIT (XK2203)



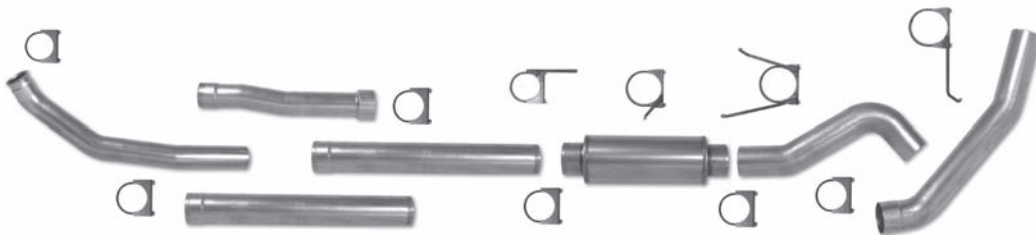
KIT NO.
XK2203

03-Early 04 **DODGE RAM 2500/3500**

SPECIFICATIONS 5.9L Cummins Diesel; 4" Turbo Back Dual Exhaust

5"

DODGE DIESEL SYSTEM KIT (XK1207)



KIT NO.
XK1207

03-Early 04 **DODGE RAM 2500/3500**

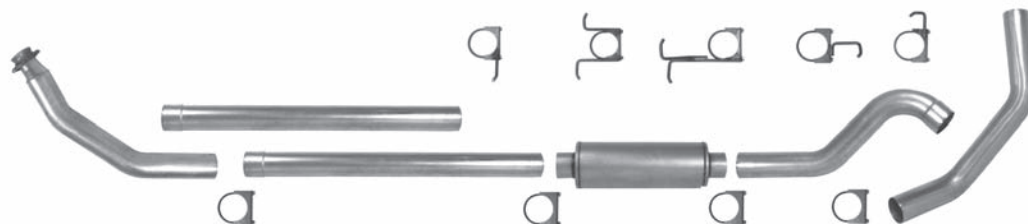
SPECIFICATIONS 5.9L Cummins Diesel; 5" Turbo Back Single Exhaust

PERFORMANCE FEATURES

- New Diesel Kits (Single & Dual Systems)
- All kits complete with all hardware/clamps
- Mandrel bent heavy gauge aluminized tubing provides maximum flow
- Easy bolt-on kits
- Fits all wheel bases
- 4" & 5" kits on popular applications

4"

DODGE DIESEL SYSTEM KIT (XK1202)



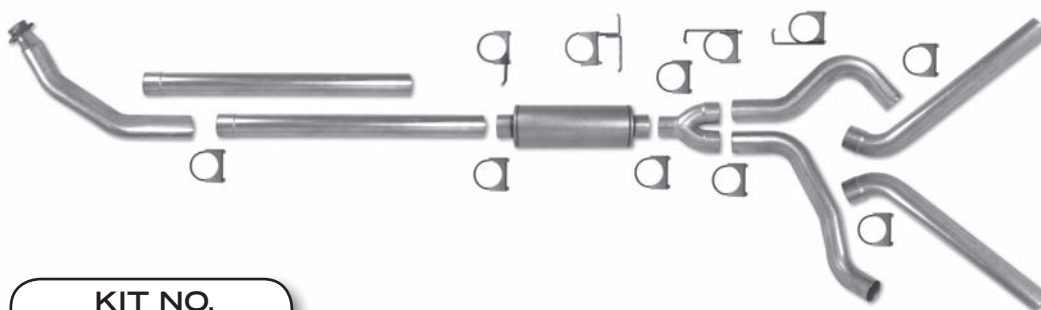
KIT NO.
XK1202

94-02 **DODGE RAM 2500/3500**

SPECIFICATIONS 5.9L Cummins Diesel; 4" Turbo Back Single Exhaust

4"

DODGE DIESEL SYSTEM KIT (XK2202)



KIT NO.
XK2202

94-02 **DODGE RAM 2500/3500**

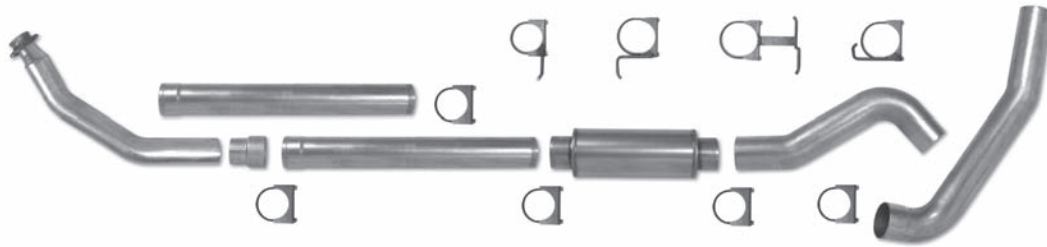
SPECIFICATIONS 5.9L Cummins Diesel; 4" Turbo Back Dual Exhaust

DIESEL PERFORMANCE SYSTEM KITS

TRUCKS **DODGE, FORD**

5"

DODGE DIESEL SYSTEM KIT (XK1204)



KIT NO.
XK1204

94-02 **DODGE RAM 2500/3500**

SPECIFICATIONS 5.9L Cummins Diesel; 5" Turbo Back Single Exhaust

4"

FORD DIESEL SYSTEM KIT (XK1105)

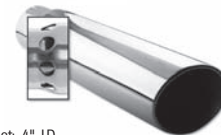


KIT NO.
XK1105

2008 **FORD F250/F350**

SPECIFICATIONS 6.4L Powerstroke Diesel; 4" Diesel Particulate Filter Back Single Exhaust

STAINLESS STEEL, VENTED TIP INCLUDED



Inlet: 4" I.D.
Outlet: 5" I.D.
OAL: 16" Rolled Angle Cut

PERFORMANCE FEATURES

- New Diesel Kits (Single & Dual Systems)
- All kits complete with all hardware/clamps
- Mandrel bent heavy gauge aluminized tubing provides maximum flow
- Easy bolt-on kits
- Fits all wheel bases
- 4" & 5" kits on popular applications

5" FORD DIESEL SYSTEM KIT (XK1110)

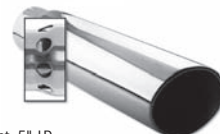


KIT NO.
XK1110

2008 **FORD F250/F350**

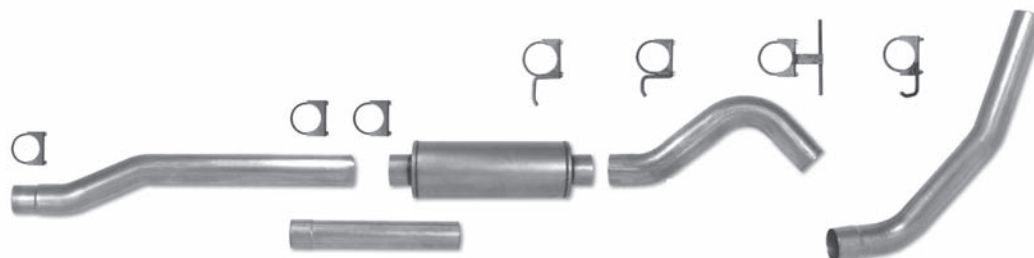
SPECIFICATIONS 6.4L Powerstroke Diesel; 5" Diesel Particulate Filter Back Single Exhaust

STAINLESS STEEL, VENTED TIP INCLUDED



Inlet: 5" I.D.
Outlet: 6" I.D.
OAL: 16" Rolled Angle Cut

4" FORD DIESEL SYSTEM KIT (XK1104)



KIT NO.
XK1104

03-07 **FORD F250/F350**

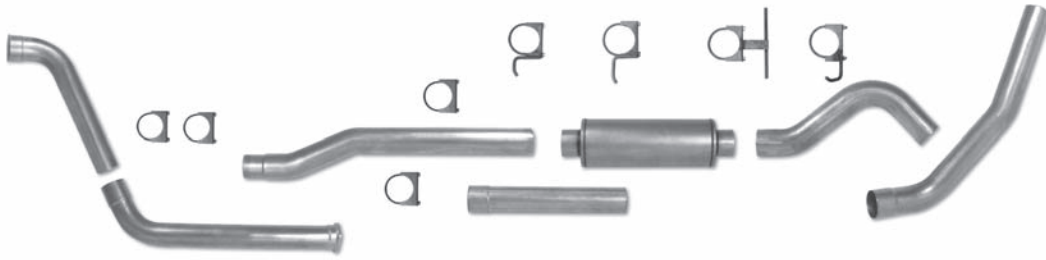
SPECIFICATIONS 6.0L Powerstroke Diesel; 4" Cat Back Single Exhaust

DIESEL PERFORMANCE SYSTEM KITS

TRUCKS **FORD**

4"

FORD DIESEL SYSTEM KIT (XK1103)



KIT NO.
XK1103

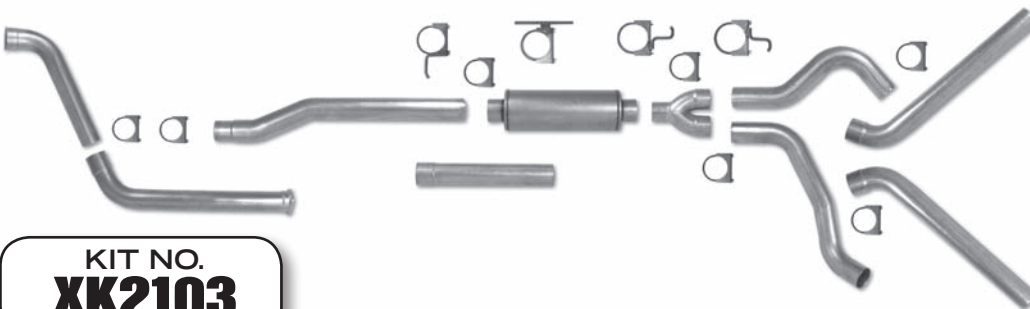
Note: Must re-install Catalytic Converter w/ gasket kit.

03-07 **FORD F250/F350**

SPECIFICATIONS 6.0L Powerstroke Diesel; 4" Turbo Back Single Exhaust

4"

FORD DIESEL SYSTEM KIT (XK2103)



KIT NO.
XK2103

Note: Must re-install Catalytic Converter w/ gasket kit.

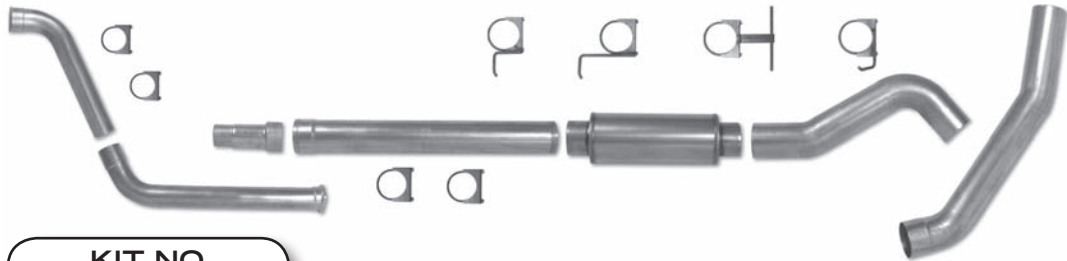
03-07 **FORD F250/F350**

SPECIFICATIONS 6.0L Powerstroke Diesel; 4 WD Only; 4" Turbo Back Dual Exhaust

PERFORMANCE FEATURES

- New Diesel Kits (Single & Dual Systems)
- All kits complete with all hardware/clamps
- Mandrel bent heavy gauge aluminized tubing provides maximum flow
- Easy bolt-on kits
- Fits all wheel bases
- 4" & 5" kits on popular applications

5" FORD DIESEL SYSTEM KIT (XK1106)



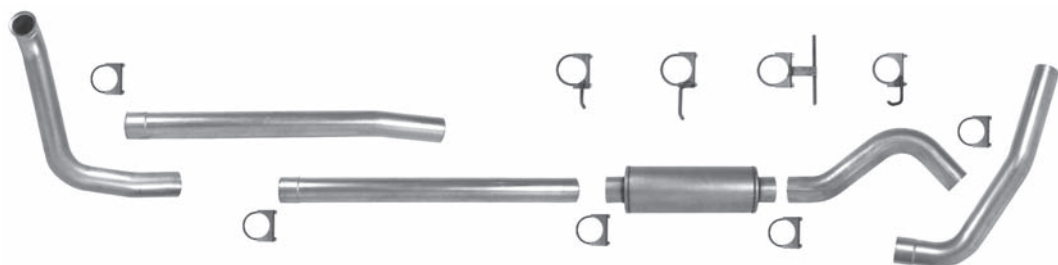
KIT NO.
XK1106

Note: Must re-install Catalytic Converter w/ gasket kit.

03-07 **FORD F250/F350**

SPECIFICATIONS 6.0L Powerstroke Diesel; 5" Turbo Back Single Exhaust

4" FORD DIESEL SYSTEM KIT (XK1102)



KIT NO.
XK1102

99-Early 03 **FORD F250/F350**

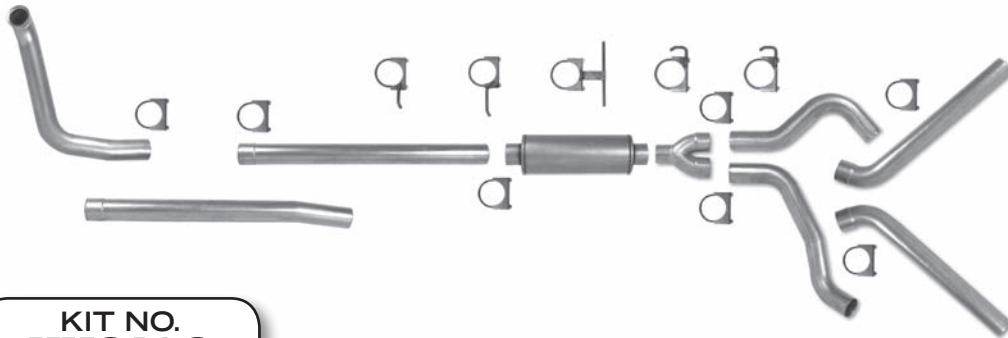
SPECIFICATIONS 7.3L Powerstroke Diesel; 4" Turbo Back Single Exhaust

DIESEL PERFORMANCE SYSTEM KITS

TRUCKS **FORD**

4"

FORD DIESEL SYSTEM KIT (XK2102)



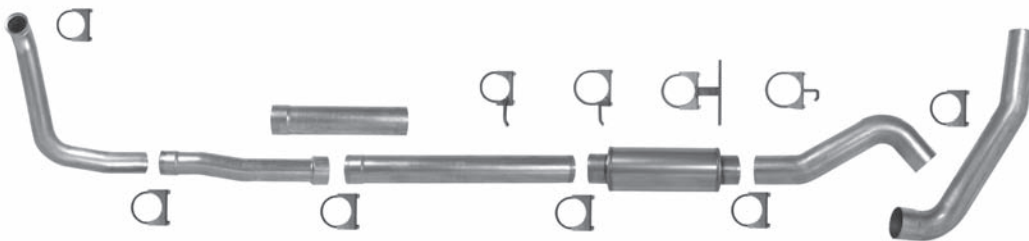
KIT NO.
XK2102

99-Early 03 **FORD F250/F350**

SPECIFICATIONS 7.3L Powerstroke Diesel; 4" Turbo Back Dual Exhaust

5"

FORD DIESEL SYSTEM KIT (XK1107)



KIT NO.
XK1107

99-Early 03 **FORD F250/F350**

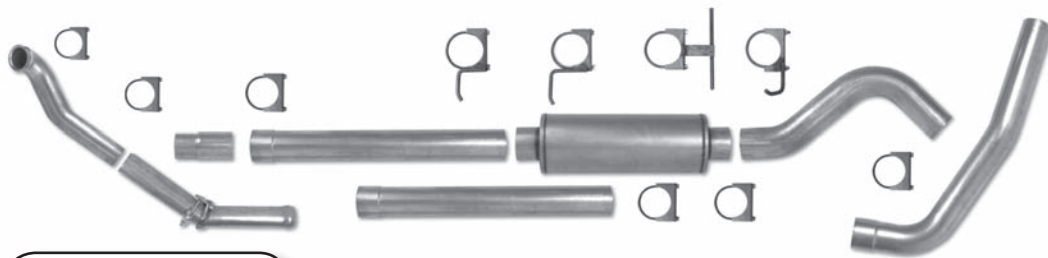
SPECIFICATIONS 7.3L Powerstroke Diesel; 5" Turbo Back Single Exhaust

PERFORMANCE FEATURES

- New Diesel Kits (Single & Dual Systems)
- All kits complete with all hardware/clamps
- Mandrel bent heavy gauge aluminized tubing provides maximum flow
- Easy bolt-on kits
- Fits all wheel bases
- 4" & 5" kits on popular applications

4"

FORD DIESEL SYSTEM KIT (XK1108)



KIT NO.
XK1108

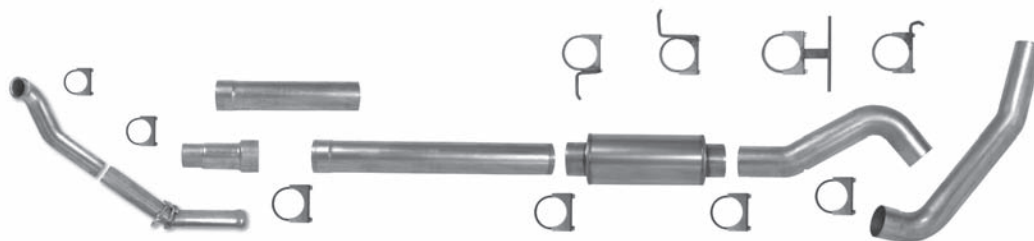
Note: Must re-install Catalytic Converter.

94- Mid-Year 97 **FORD F250/F350**

SPECIFICATIONS 7.3L Powerstroke Diesel; 4" Turbo Back Single Exhaust

5"

FORD DIESEL SYSTEM KIT (XK1109)



KIT NO.
XK1109

Note: Must re-install Catalytic Converter.

94- Mid-Year 97 **FORD F250/F350**

SPECIFICATIONS 7.3L Powerstroke Diesel; 5" Turbo Back Single Exhaust

DIESEL PERFORMANCE SYSTEM PARTS

TRUCKS **CHEVY/GMC, DODGE**

CHEVY/GMC RESONATOR DOWN PIPE (X4511)



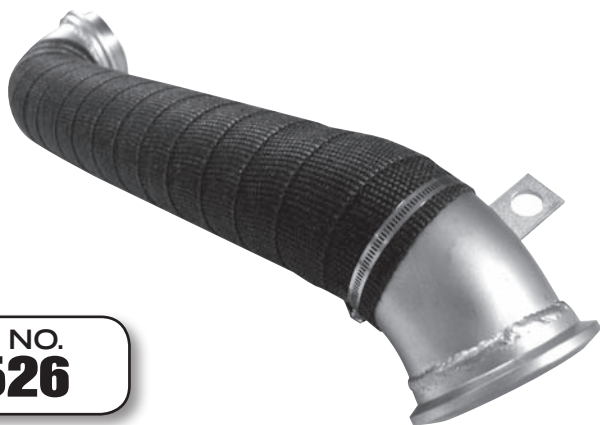
PART NO.
X4511

**BUILT-IN RESONATOR
REDUCES CAB NOISE**

01-07 **CHEVY/GMC**

SPECIFICATIONS 6.6L Duramax Diesel Systems, Front Pipe w/out Flange w/ Resonator

CHEVY/GMC TURBO DIRECT PIPE (X3526)



PART NO.
X3526

**REDUCES EGT'S BY UP
TO 150 DEGREES**

03-Early 07 **CHEVY/GMC**

SPECIFICATIONS LLY & LBZ Turbo Direct Pipe, w/ Thermal Resistant Wrapping

DODGE TURBO DIRECT PIPE (X4510)

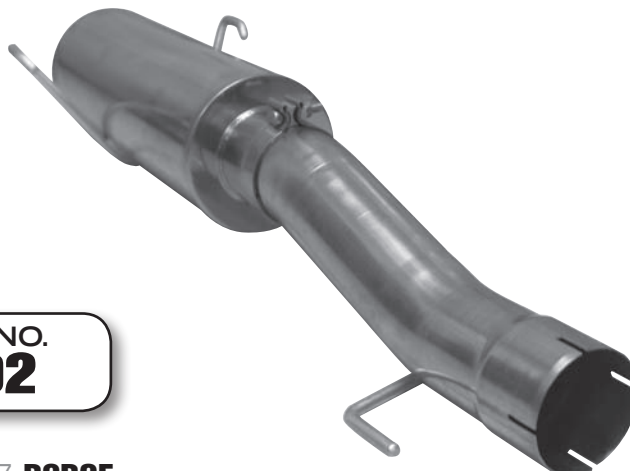


PART NO.
X4510

94-02 **DODGE**

SPECIFICATIONS 5.9L Cummins Diesel Applications, HX40 Turbo Direct Pipe

DODGE MUFFLER REPLACEMENT KIT (X702)



PART NO.
X702

Mid-Year 04-07 **DODGE**

SPECIFICATIONS 5.9L Cummins Diesel Truck Applications, Replaces Stock OE Muffler w/ Straight Through Stainless Steel Muffler, Comes w/ Intermediate Pipe & Weld On Hangers

DIESEL PERFORMANCE SYSTEM TIPS

DIESEL TIP



CHROME		STAINLESS		BOX QTY.	INLET SIZE	LENGTH
BULK P/N	SINGLE PACK P/N	BULK P/N	SINGLE PACK P/N			
			ST1100	1	4" I.D. Bolt On, 5" Dual Walled Angled	12"

INSIDE ROLL PENCIL TIPS - BOLT ON



CHROME		STAINLESS		BOX QTY.	INLET SIZE	OVERALL SIZE
BULK P/N	SINGLE PACK P/N	BULK P/N	SINGLE PACK P/N			
			ST1195S	1	4" I.D.	12" x 4"
			ST1196S	1	4" I.D.	12" x 5"
			ST1197S	1	5" I.D.	12" x 5"
			ST1198S	1	5" I.D.	12" x 6"

INSIDE ROLL ANGLE CUT TIPS - BOLT ON



CHROME		STAINLESS		BOX QTY.	INLET SIZE	OVERALL SIZE
BULK P/N	SINGLE PACK P/N	BULK P/N	SINGLE PACK P/N			
			ST1190S	1	4" I.D.	12" x 4"
			ST1191S	1	4" I.D.	12" x 5"
			ST1192S	1	5" I.D.	12" x 5"
			ST1199S	1	5" I.D.	12" x 6"

TURN DOWN TIPS - BOLT ON



STAINLESS				
BULK P/N	SINGLE PACK P/N	BOX QTY.	INLET SIZE	OVERALL SIZE
	ST1200S	1	4" I.D.	12" x 4 1/2"
	ST1201S	1	4" I.D.	18" x 4 1/2"

TURN DOWN TIPS



STAINLESS				
BULK P/N	SINGLE PACK P/N	BOX QTY.	INLET SIZE	OVERALL SIZE
ST1244	ST1244S	6	4" I.D.	18" x 4"

ANGLE ROLLED W/ RESONATOR TIP


CHROME		STAINLESS		BOX QTY.	INLET SIZE	OVERALL SIZE
BULK P/N	SINGLE PACK P/N	BULK P/N	SINGLE PACK P/N			
			ST81	1	4"	7 1/2" x 4"
			ST82	1	4"	11 1/2" x 4"
			ST83	1	4"	18" x 4"

INSIDE ROLL ANGLE CUT TIPS


CHROME		STAINLESS		BOX QTY.	INLET SIZE	OVERALL SIZE
BULK P/N	SINGLE PACK P/N	BULK P/N	SINGLE PACK P/N			
		ST1100	ST1100S	6	4" I.D.	12" x 5"
		ST1101	ST1101S	6	4" I.D.	24" x 5"

INSIDE ROLL PENCIL TIPS


CHROME		STAINLESS		BOX QTY.	INLET SIZE	OVERALL SIZE
BULK P/N	SINGLE PACK P/N	BULK P/N	SINGLE PACK P/N			
CT1187	CT1187S			6	4" I.D.	5" x 12"
CT1188	CT1188S			6	4" I.D.	5" x 18"
CT1189	CT1189S			6	4" I.D.	5" x 22"

PENCIL TIPS


CHROME		STAINLESS		BOX QTY.	INLET SIZE	OVERALL SIZE
BULK P/N	SINGLE PACK P/N	BULK P/N	SINGLE PACK P/N			
CT1174	CT1174S	ST1174	ST1174S	6	4" I.D.	18" x 4"

DIESEL PERFORMANCE SYSTEM KITS

Numerical Application Guide

PART NO.	YEAR	DESCRIPTION
X3526	03 - Early 07	Chevy/GMC LLY & LBZ Turbo Direct Pipe, w/ Thermal Resistant Wrapping
X4510	94 - 02	Dodge 5.9L Cummins Diesel Applications, HX40 Turbo Direct Pipe
X4511	01 - 07	Chevy/GMC 6.6L Duramax Diesel Systems, Front Pipe w/out Flange w/ Resonator
X702	04 Mid-Year - 07	Dodge 5.9L Cummins Diesel Truck Applications, Replaces Stock OE Muffler w/ Straight Through Stainless Steel Muffler, Comes w/ Intermediate Pipe & Weld On Hangers
XK1102	99 - Early 03	Ford F250/F350, 7.3L Powerstroke Diesel, 4" Turbo Back Single Exhaust Kit
XK1103	03 - 07	Ford F250/F350, 6.0L Powerstroke Diesel, 4" Turbo Back Single Exhaust Kit
XK1104	03 - 07	Ford F250/F350, 6.0L Powerstroke Diesel, 4" Cat Back Single Exhaust Kit
XK1105	08	Ford F250/F350, 6.4L Powerstroke Diesel, 4" Diesel Particulate Filter Back Single Exhaust Kit
XK1106	03 - 07	Ford F250/F350, 6.0L Powerstroke Diesel, 5" Turbo Back Single Exhaust Kit
XK1107	99 - Early 03	Ford F250/F350, 7.3L Powerstroke Diesel, 5" Turbo Back Single Exhaust Kit
XK1108	94 - 97 Mid-Year	Ford F250/F350, 7.3L Powerstroke Diesel, 4" Turbo Back Single Exhaust Kit
XK1109	94 - 97 Mid-Year	Ford F250/F350, 7.3L Powerstroke Diesel, 5" Turbo Back Single Exhaust Kit
XK1110	08	Ford F250/F350, 6.4L Powerstroke Diesel, 5" Diesel Particulate Filter Back Single Exhaust Kit
XK1202	94 - 02	Dodge Ram 2500/3500, 5.9L Cummins Diesel, 4" Turbo Back Single Exhaust Kit
XK1203	03 - Early 04	Dodge Ram 2500/3500, 5.9L Cummins Diesel, 4" Turbo Back Single Exhaust Kit
XK1204	94 - 02	Dodge Ram 2500/3500, 5.9L Cummins Diesel, 5" Turbo Back Single Exhaust Kit
XK1205	04 Mid-Year - Early 07	Dodge Ram 2500/3500, 5.9L Cummins 600 Diesel, 4" Cat Back Single Exhaust Kit
XK1206	04 Mid-Year - Early 07	Dodge Ram 2500/3500, 5.9L Cummins 600 Diesel, 5" Cat Back Single Exhaust Kit
XK1207	03 - Early 04	Dodge Ram 2500/3500, 5.9L Cummins Diesel, 5" Turbo Back Single Exhaust Kit
XK1302	01 - 05	Chevy/GMC 2500/3500, 6.6L Duramax Diesel Eng, 4" Front Pipe Back Single Exhaust Kit
XK1303	94 - 00	Chevy/GMC 2500/3500, 6.5L Diesel, 4" Turbo Back Single Exhaust Kit
XK1304	06 - Early 07	Chevy/GMC 2500/3500, 6.6L Duramax Diesel Eng, 4" Cat Back Single Exhaust Kit
XK1305	93 - 01	Chevy Suburban, 6.5L Diesel, 4" Turbo Back Single Exhaust Kit
XK1306	07 Mid-Year - 08	Chevy/GMC 2500/3500, 6.6L Duramax Diesel Eng, 4" Diesel Particulate Back Single Exhaust Kit
XK1307	07 Mid-Year - 08	Chevy/GMC 2500/3500, 6.6L Duramax Diesel Eng, 5" Diesel Particulate Back Single Exhaust Kit
XK2102	99 - Early 03	Ford F250/F350, 7.3L Powerstroke Diesel, 4" Turbo Back Dual Exhaust Kit
XK2103	03 - 07	Ford F250/F350, 6.0L Powerstroke Diesel, 4WD Only, 4" Turbo Back Dual Exhaust Kit
XK2202	94 - 02	Dodge Ram 2500/3500, 5.9L Cummins Diesel, 4" Turbo Back Dual Exhaust Kit
XK2203	03 - Early 04	Dodge Ram 2500/3500, 5.9L Cummins Diesel, 4" Turbo Back Dual Exhaust Kit
XK2205	04 Mid-Year - Early 07	Dodge Ram 2500/3500, 5.9L Cummins 600 Diesel, 4" Cat Back Dual Exhaust Kit
XK2302	01 - 05	Chevy/GMC 2500/3500, 6.6L Duramax Diesel Eng, 4" Front Pipe Back Dual Exhaust Kit
XK2304	06 - Early 07	Chevy/GMC 2500/3500, 6.6L Duramax Diesel Eng, 4" Cat Back Dual Exhaust Kit



300 Dixie Trail
 Goldsboro, NC 27530
 P. 919.580.2000
 F. 919.580.2010

www.apexhaust.com